

4'x4' Portable Infrared Sauna

Ideal for solo saunas, the S-810 envelops you in deeply penetrating infrared heat. With a **footprint of only 9 square feet**, this sauna can fit somewhere inside almost every home and comes with all the features and benefits of larger options.



A. BLUETOOTH SOUND SYSTEM

Integral state-of-the-art sound with heat-resistant speakers. Just pair with your Bluetooth®-ready device.

B. ELEGANT LED LIGHTING

Great for relaxing and mood creation, with 6 color options.

C. FULL-SIZED CALF EMITTERS

For maximum lower extremity exposure to healthy far-infrared heat energy.

D. WALL-TO-WALL HEAT COVERAGE

No hot and cold spots here! Total immersion in the highest output of Low EMR & Low EF infrared heat energy in the industry.

E. ALL-GLASS FRONT WALL

Non-claustrophobic feel with a clean, contemporary look.

F. CANADIAN HEMLOCK INSIDE & OUT

Responsibly harvested sauna wood sealed with bio-friendly furniture grade finish.

G. IL2 CONTROL SYSTEM

The proprietary InfraLogic2 control is feature-rich and easy-to-use to set and schedule your sauna sessions. Extend control to your phone and operate your sauna from anywhere with the mobile app.

H. COMBINATION DOOR HANDLE

It's a door handle that doubles as a towel bar.







I. IN-BENCH FAR-INFRARED EMITTER

The only infrared sauna in the industry with this feature!

J. MATTE BLACK METALLIC FLOOR EMITTER

For complete head-to-toe comfort, rest your feet on the CarbonFlex™ far-infrared floor emitters.

SPECIFICATIONS

 Seats 1	 Inside only	 Low EMR & EF
 WiFi	 Bluetooth	 15-amp 120v. Standard Outlet

TECHNICAL

Dimensions: 36" W x 36" D x 76^{1/2}" H
Weight: ~270 lbs.
Electrical: 15-amp 120 V standard outlet

CONSTRUCTION

Clear Canadian Hemlock construction
CarbonFlex™ Low EMR/Low EF heating system
"Pin-and-Hook" wall locking system
3" side and 5" overhead clearance required for installation

WARRANTY

IR Emitters: 5 years
Wood Cabinet: 5 years
Controls: 5 years

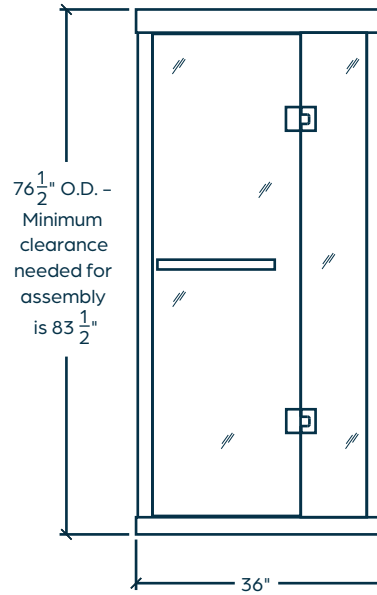


ETL Listed for Safety
Peace-of-mind for you and your loved ones.

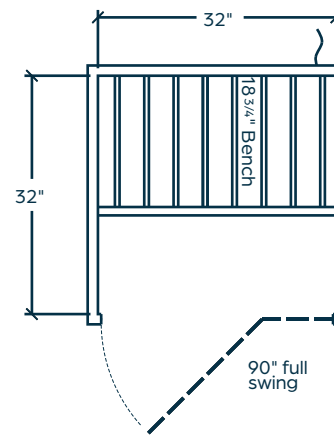
finnleo



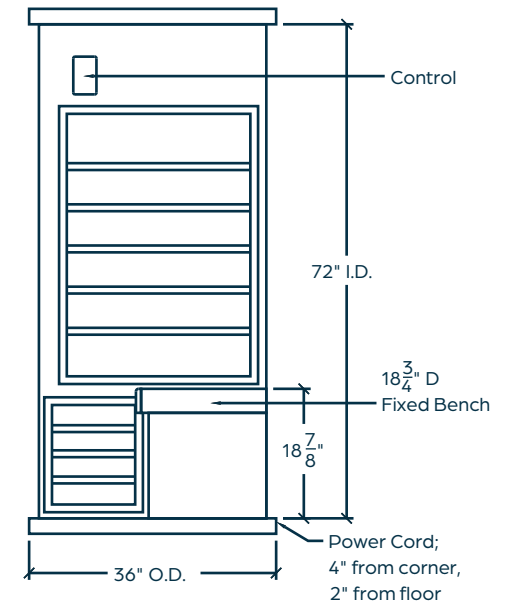
EXTERIOR FRONT WALL



TOP DOWN VIEW
(w/ Interior Measurements)



INTERIOR LEFT WALL



Notes:

Dealer Contact Information:

S-Series S-810

PORTABLE SAUNA

Version: V4
 Part Number: 9804-4410
 Heater Model: CarbonFlex IR
 Control Type: IL2 w/Wi-Fi
 Voltage: 120

Phase: 1
 Amps: 15
 Watts: 1410
 Ext. Wood: Canadian Hemlock
 Int. Wood: Canadian Hemlock

Cord Length: 6'
 Door Type: All-Glass, Clear
 Door Dimensions: 21 $\frac{5}{8}$ " x 68 $\frac{3}{4}$ "
 SQ. Footage: 7.1
 CU. Footage: 43.6

Lighting Type: Under Bench/Valance
 Largest Panel Size: 36" x 76 $\frac{1}{2}$ "
 Drawing Rev. Date: 4-27-2022
 Shipping Weight (Palletized): ~345 lbs.

*Finnleo / Sauna360 reserves the right to make changes to these measurements from time to time without notice.