

## 2-Person Portable Infrared Sauna

**One of our most popular models**, the S-820 is perfect for one or two people. With its footprint of only 13.3 square feet, it can easily be incorporated into an in-home workout area, master bath, or other area with room to spare. Share the infrared heat and benefits with a friend, or sauna solo!



### A. BLUETOOTH SOUND SYSTEM

Integral state-of-the-art sound with heat-resistant speakers. Just pair with your Bluetooth®-ready device.

### B. ELEGANT LED LIGHTING

Great for relaxing and mood creation, with 6 color options.

### C. FULL-SIZED CALF EMITTERS

For maximum lower extremity exposure to healthy far-infrared heat energy.

### D. WALL-TO-WALL HEAT COVERAGE

No hot and cold spots here! Total immersion in the highest output of Low EMR & Low EF infrared heat energy in the industry.

### E. ALL-GLASS FRONT WALL

Non-claustrophobic feel with a clean, contemporary look.

### F. CANADIAN HEMLOCK INSIDE & OUT

Responsibly harvested sauna wood sealed with bio-friendly furniture grade finish.

### G. IL2 CONTROL SYSTEM

The proprietary InfraLogic2 control is feature-rich and easy-to-use to set and schedule your sauna sessions. Extend control to your phone and operate your sauna from anywhere with the mobile app.

### H. COMBINATION DOOR HANDLE

It's a door handle that doubles as a towel bar.

### I. IN-BENCH FAR-INFRARED EMITTER

The only infrared sauna in the industry with this feature!

### J. MATTE BLACK METALLIC FLOOR EMITTER

For complete head-to-toe comfort, rest your feet on the CarbonFlex™ far-infrared floor emitters.

## SPECIFICATIONS



Seats up to 2



Inside only



Low EMR & EF



WiFi



Bluetooth



15-amp 120v.  
Standard Outlet

## TECHNICAL

Dimensions: 47<sup>3/4</sup>" W x 40" D x 76<sup>1/2</sup>" H

Weight: ~345 lbs.

Electrical: 15-amp 120 V  
standard outlet

## CONSTRUCTION

Clear Canadian Hemlock  
construction

CarbonFlex™ Low  
EMR/Low EF heating system

"Pin-and-Hook" wall locking system

3" side and 5" overhead  
clearance required for installation

## WARRANTY

IR Emitters: 5 years

Wood Cabinet: 5 years

Controls: 5 years



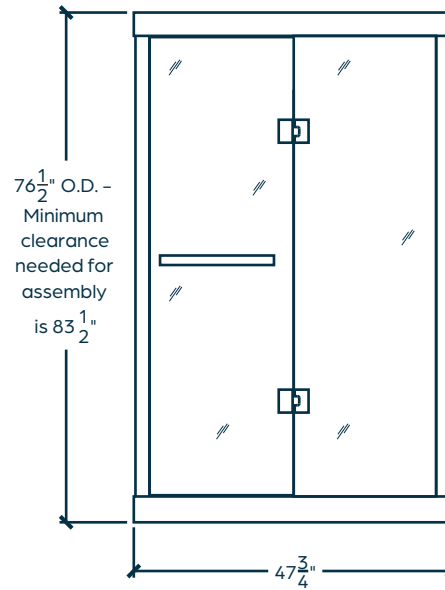
**ETL Listed for Safety**

Peace-of-mind  
for you and your  
loved ones.

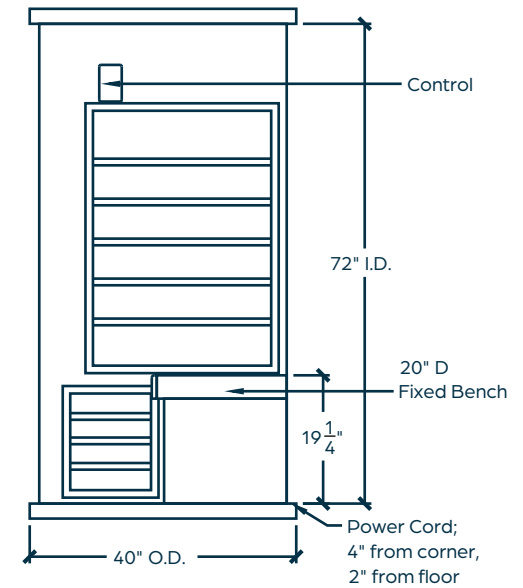
# finnleo



EXTERIOR FRONT WALL

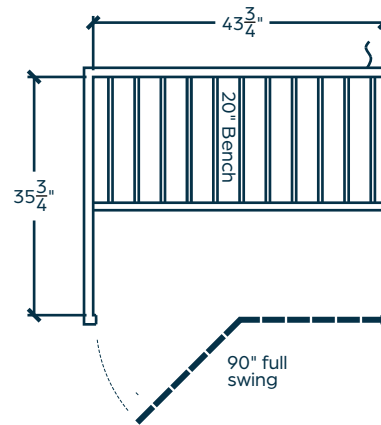


INTERIOR LEFT WALL



TOP DOWN VIEW

(w/ Interior Measurements)



**Notes:**

---



---



---



---



---

**Dealer Contact Information:**

---



---

## S-Series S-820

## PORTABLE SAUNA

Version: V4  
 Part Number: 9804-4420  
 Heater Model: CarbonFlex IR  
 Control Type: IL2 w/Wi-Fi  
 Voltage: 120

Phase: 1  
 Amps: 15  
 Watts: 1580  
 Ext. Wood: Canadian Hemlock  
 Int. Wood: Canadian Hemlock

Cord Length: 6'  
 Door Type: All-Glass, Clear  
 Door Dimensions: 21<sup>5</sup>/<sub>8</sub>" x 68<sup>3</sup>/<sub>4</sub>"  
 SQ. Footage: 10.9  
 CU. Footage: 65.4

Lighting Type: Under Bench/Valance  
 Largest Panel Size: 47<sup>3</sup>/<sub>4</sub>" x 76<sup>1</sup>/<sub>2</sub>"  
 Drawing Rev. Date: 4-27-2022  
 Shipping Weight (Palletized): ~420 lbs.

\*Finnleo / Sauna360 reserves the right to make changes to these measurements from time to time without notice.