

4-Person (U-Shaped Seating) Portable Infrared Sauna

Spaciousness with comfortable seating for four. By dropping in a bench insert to convert the two long benches into a U-shaped bench, you can seat up to four people, or have two people lying down at once.



A. BLUETOOTH SOUND SYSTEM

Integral state-of-the-art sound with heat-resistant speakers. Just pair with your Bluetooth®-ready device.

B. ELEGANT LED LIGHTING

Great for relaxing and mood creation, with 6 color options.

C. FULL-SIZED CALF EMITTERS

For maximum lower extremity exposure to healthy far-infrared heat energy.

D. WALL-TO-WALL HEAT COVERAGE

No hot and cold spots here! Total immersion in the highest output of Low EMR & Low EF infrared heat energy in the industry.

E. ALL-GLASS FRONT WALL

Non-claustrophobic feel with a clean, contemporary look.

F. CANADIAN HEMLOCK INSIDE & OUT

Responsibly harvested sauna wood sealed with bio-friendly furniture grade finish.

G. IL2 CONTROL SYSTEM

The proprietary InfraLogic2 control is feature-rich and easy-to-use to set and schedule your sauna sessions. Extend control to your phone and operate your sauna from anywhere with the mobile app.

H. COMBINATION DOOR HANDLE

It's a door handle that doubles as a towel bar.

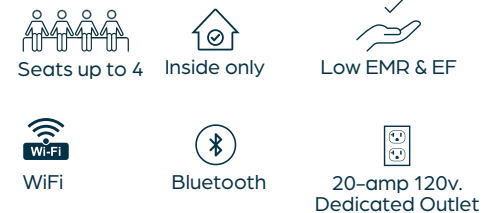
I. IN-BENCH FAR-INFRARED EMITTER

The only infrared sauna in the industry with this feature!

J. MATTE BLACK METALLIC FLOOR EMITTER

For complete head-to-toe comfort, rest your feet on the CarbonFlex™ far-infrared floor emitters.

SPECIFICATIONS



TECHNICAL

Dimensions: 71^{3/8}" W x 56^{5/8}" D x 76^{1/2}" H

Weight: ~600 lbs.

Electrical: 20-amp 120V dedicated outlet

CONSTRUCTION

Clear Canadian Hemlock construction

CarbonFlex™ Low EMR/Low EF heating system

"Pin-and-Hook" wall locking system

3" side and 5" overhead clearance required for installation

WARRANTY

IR Emitters: 5 years

Wood Cabinet: 5 years

Controls: 5 years

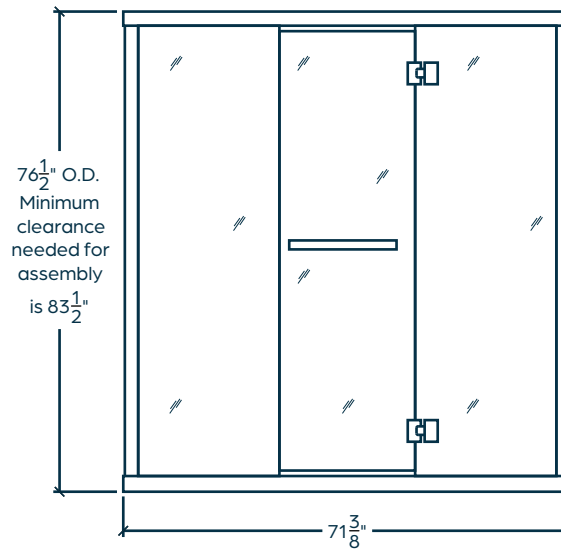


ETL Listed for Safety

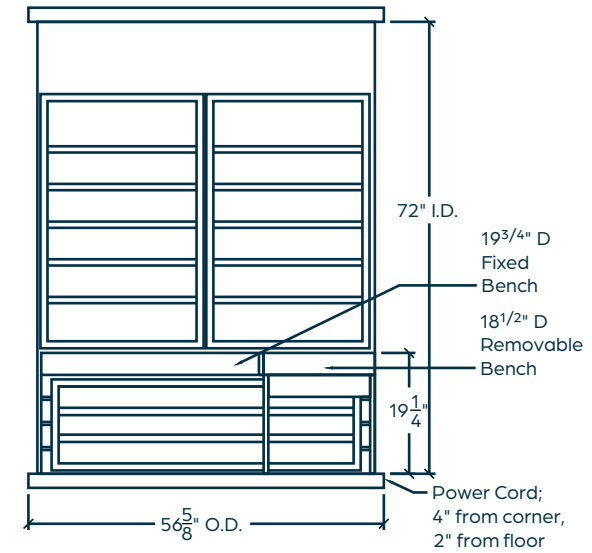
Peace-of-mind for you and your loved ones.



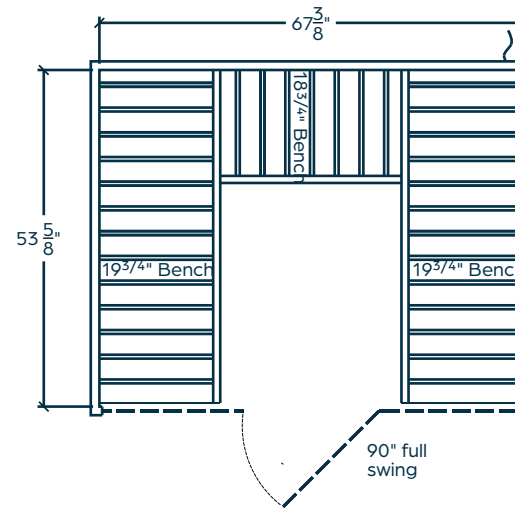
EXTERIOR FRONT WALL



INTERIOR LEFT WALL



TOP DOWN VIEW
(w/ Interior Measurements)



Notes:

Dealer Contact Information:

S-Series S-840

PORTABLE SAUNA

Version: V4
Part Number: 9804-4450
Heater Model: CarbonFlex IR
Control Type: IL2 w/Wi-Fi
Voltage: 120

Phase: 1
Amps: 20
Watts: 2200
Ext. Wood: Canadian Hemlock
Int. Wood: Canadian Hemlock

Cord Length: 6'
Door Type: All-Glass, Clear
Door Dimensions: 21 $\frac{5}{8}$ " x 70"
SQ. Footage: 21.5
CU. Footage: 150.6

Lighting Type: Under Bench/Valance
Largest Panel Size: 56 $\frac{5}{8}$ " x 76 $\frac{1}{2}$ "
Drawing Rev. Date: 5-27-2022
Shipping Weight (Palletized): ~675 lbs.